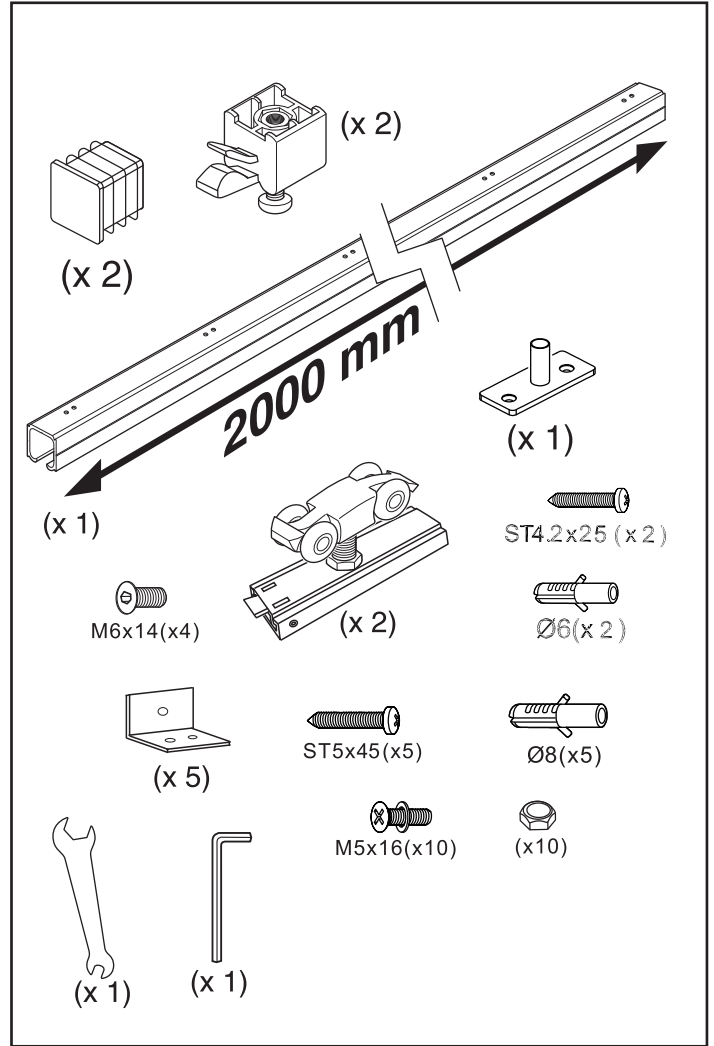
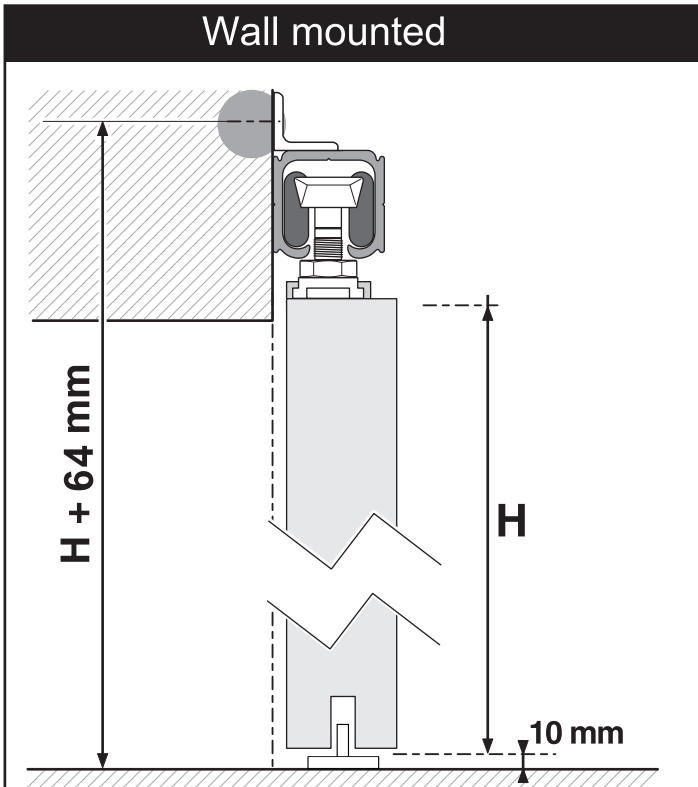
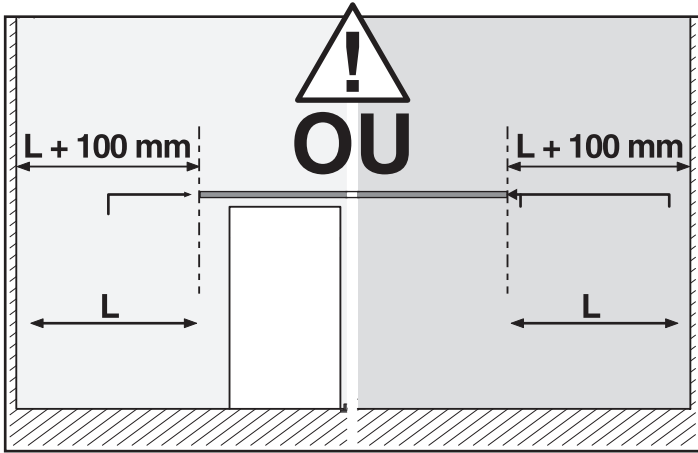
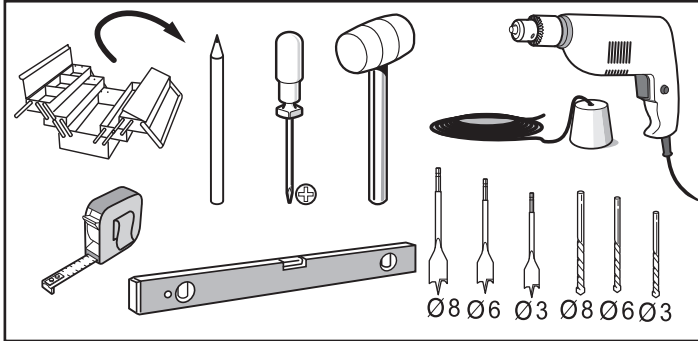
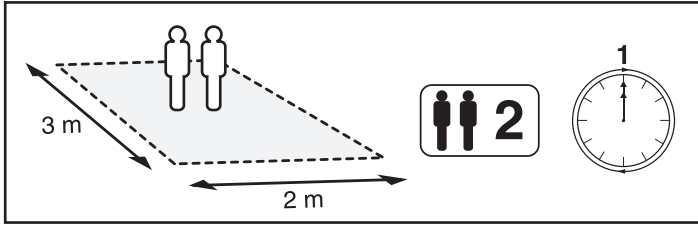
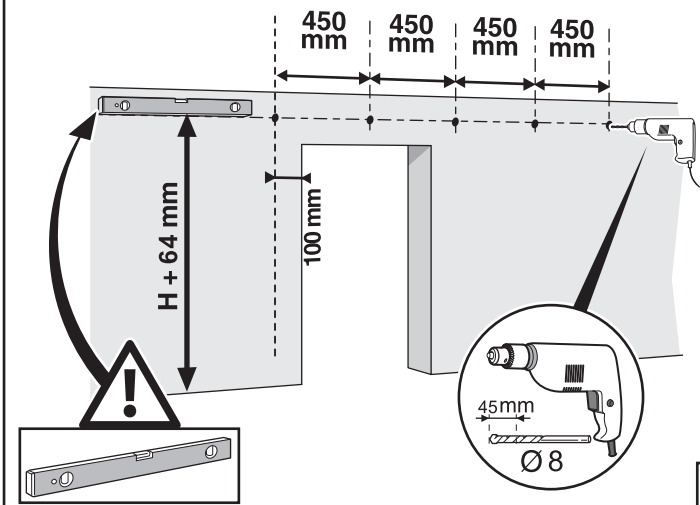
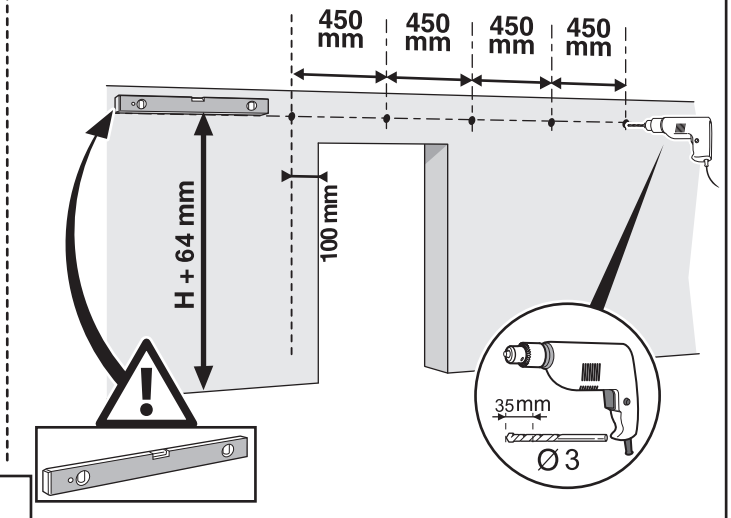
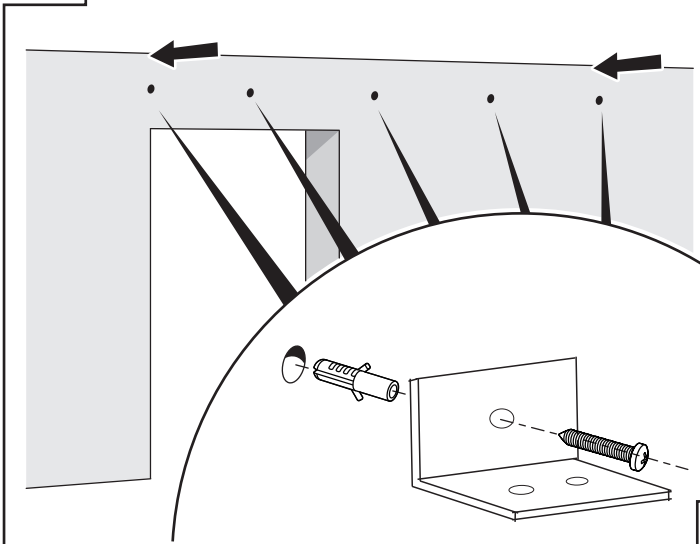
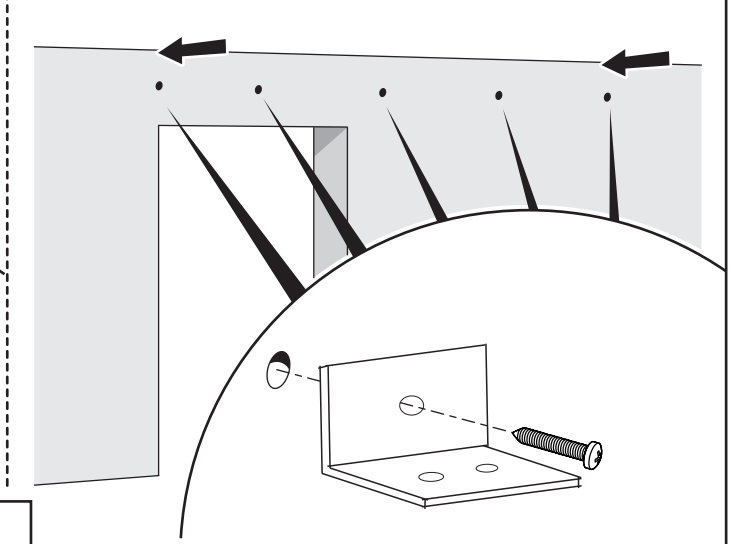


INSTALLATION MANUAL



1A**For masonry (concrete wall) installation****1B****For drywall installation with support structure (wood wall or drywall + joist(wood))****2A****For masonry (concrete wall) installation****2B****For drywall installation with support structure wood wall or drywall + joist(wood)****3**