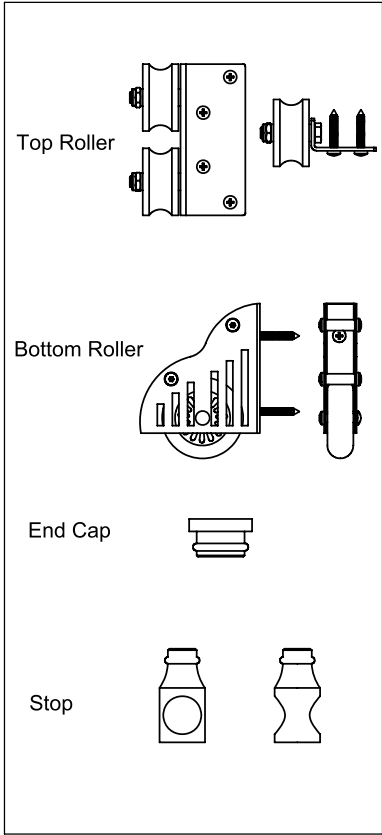
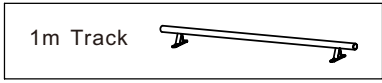
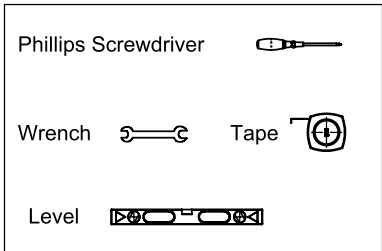


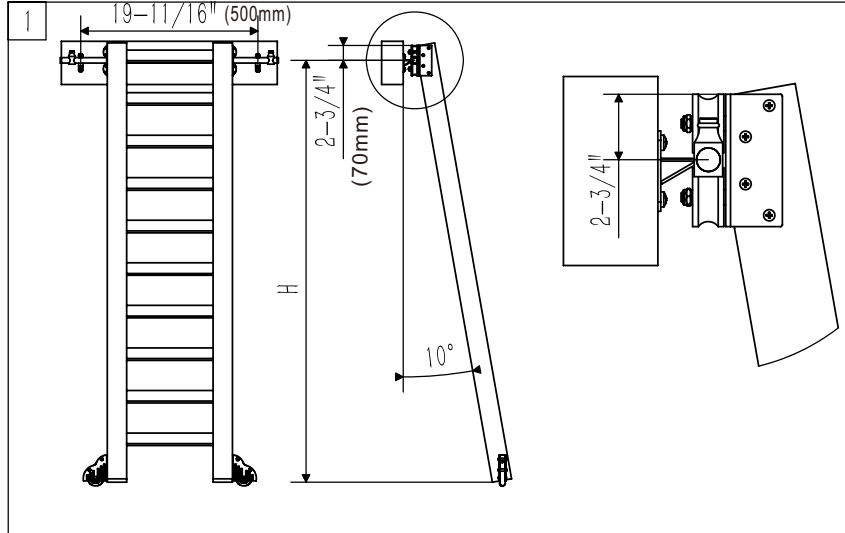
INSTALLATION INSTRUCTION



Tools Needed

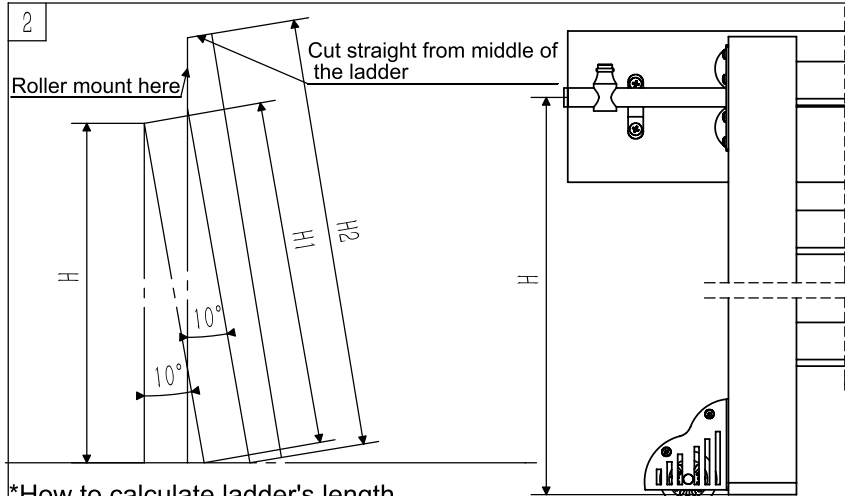


Measurements



The length between two center bracket is 19 11/16" (500mm)

The length from track center to the top of the roller is 2 3/4" (70mm)



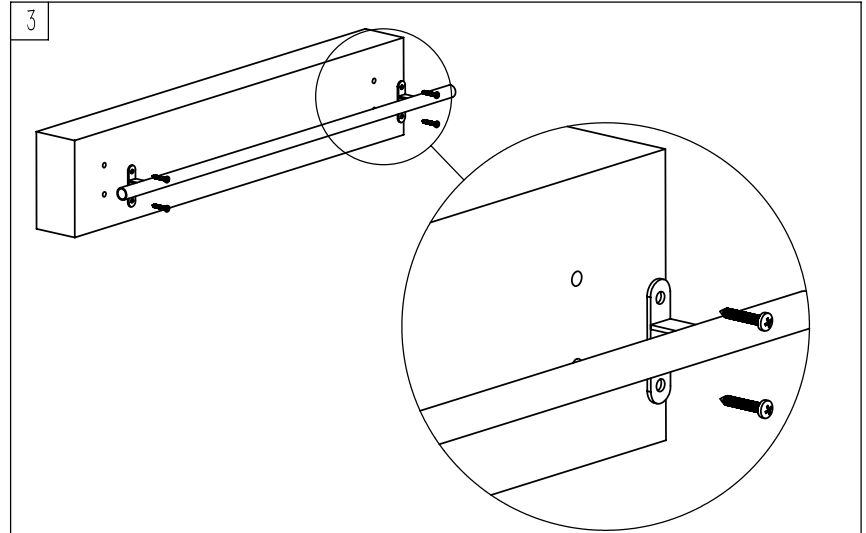
*How to calculate ladder's length

*Highly suggest to make ladder's length higher than roller's location

H is the length from floor to center bracket (the place where you want to install track)

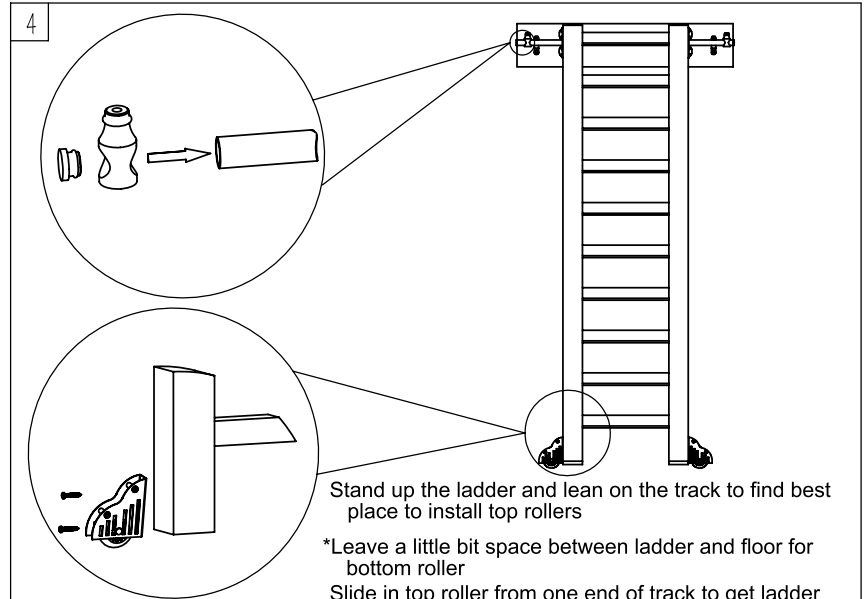
The angle is 10°, cos 10 is 0.985

$H1 = H/0.985$ $H2(\text{ladder length}) = H1 + 8" \sim 9"$



Check the level

Tight brackets on the wall directly to get track installed



Stand up the ladder and lean on the track to find best place to install top rollers

*Leave a little bit space between ladder and floor for bottom roller

Slide in top roller from one end of track to get ladder hanged

Fix bottom roller on the ladder

Fix two stops on the two end of track

Put end caps on the track